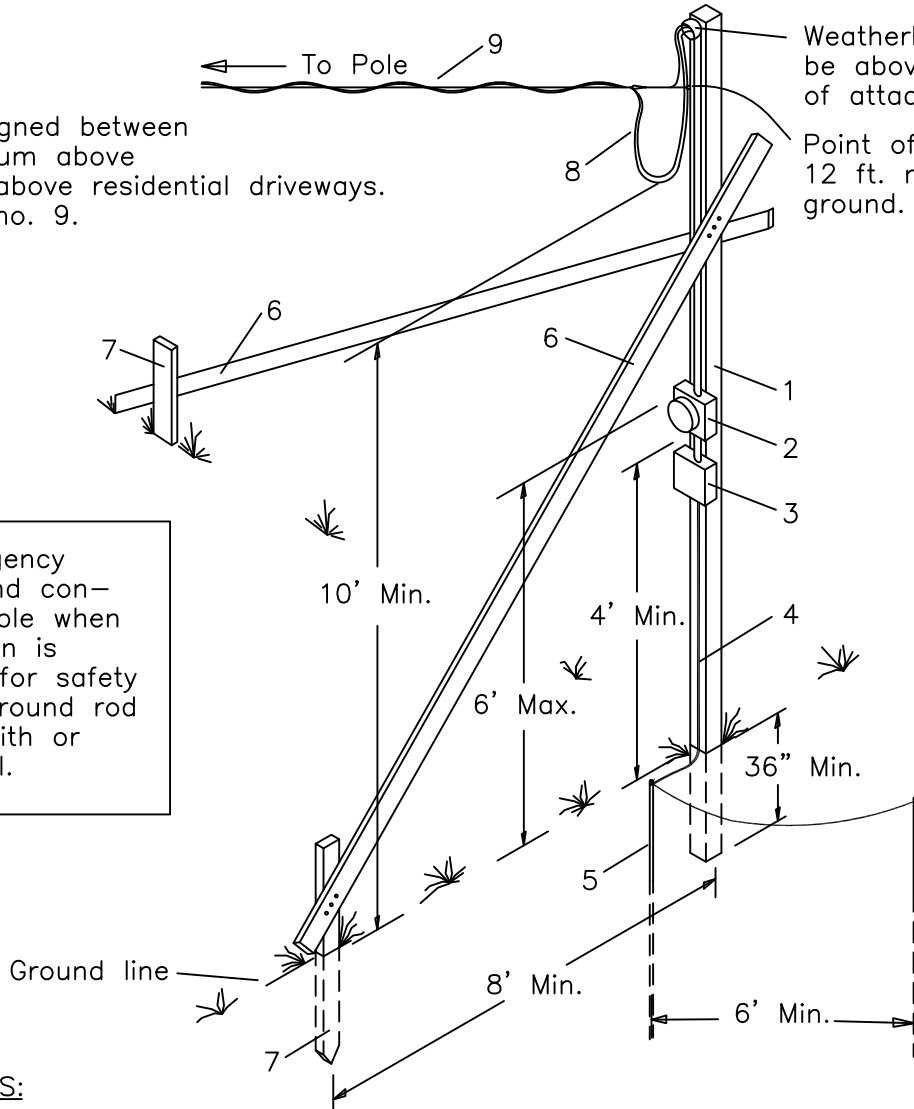


Service drop to be aligned between braces. 12 ft. minimum above ground line and 18ft above residential driveways. Also see requirement no. 9.

Weatherhead must be above point of attachment.
Point of attachment 12 ft. minimum to ground.



Code Enforcing Agency may require ground connection to be visible when electrical inspection is made. However, for safety reasons, top of ground rod should be flush with or below ground level.

MEMBER REQUIREMENTS:

- 1 4"x4" post – minimum 16 feet long. Set in ground minimum of 3 feet.
- 2 Meter base, weatherhead, & service entrance conduit.
- 3 Service equipment – weathertight – minimum ampacity 30 amperes. Switch box must be covered when inspected.
- 4 Ground wire – No. 6 copper minimum.
- 5 Ground rods – per NEC, 2 required 8 feet long.
- 6 2"x4" brace – minimum 12 feet.
- 7 2"x4" stake – set in ground minimum of 2 feet.
- 8 Minimum conductor No. 8 copper or No. 6 aluminum. Must be 18" in length outside weatherhead.
- 9 Service drop must have 18 feet clearance over roads or areas subject to truck or farming equipment traffic. When necessary, a similar structure should be used to provide adequate intermediate clearance support for utility's service drop.

NOTE: All wiring must meet code requirements.

MEMBER EQUIPMENT MUST HAVE PROOF OF STATE ELECTRICAL INSPECTION AND MUST HAVE GREEN TAG ATTACHED BEFORE C.P.I. WILL CONNECT.



CONSUMERS POWER INC.

P.O. Box 1180 Phone 929-3124
Philomath, Oregon 97370-1180

CPI TEMPORARY METER REQUIREMENTS OVERHEAD CONSTRUCTION

Drawn by: JMC	Date: 1-30-91	Scale: None	Dwg. No. 1262
Chk'd by:	Date: 11-02-17	Revs'd: AGS	Spec. No.